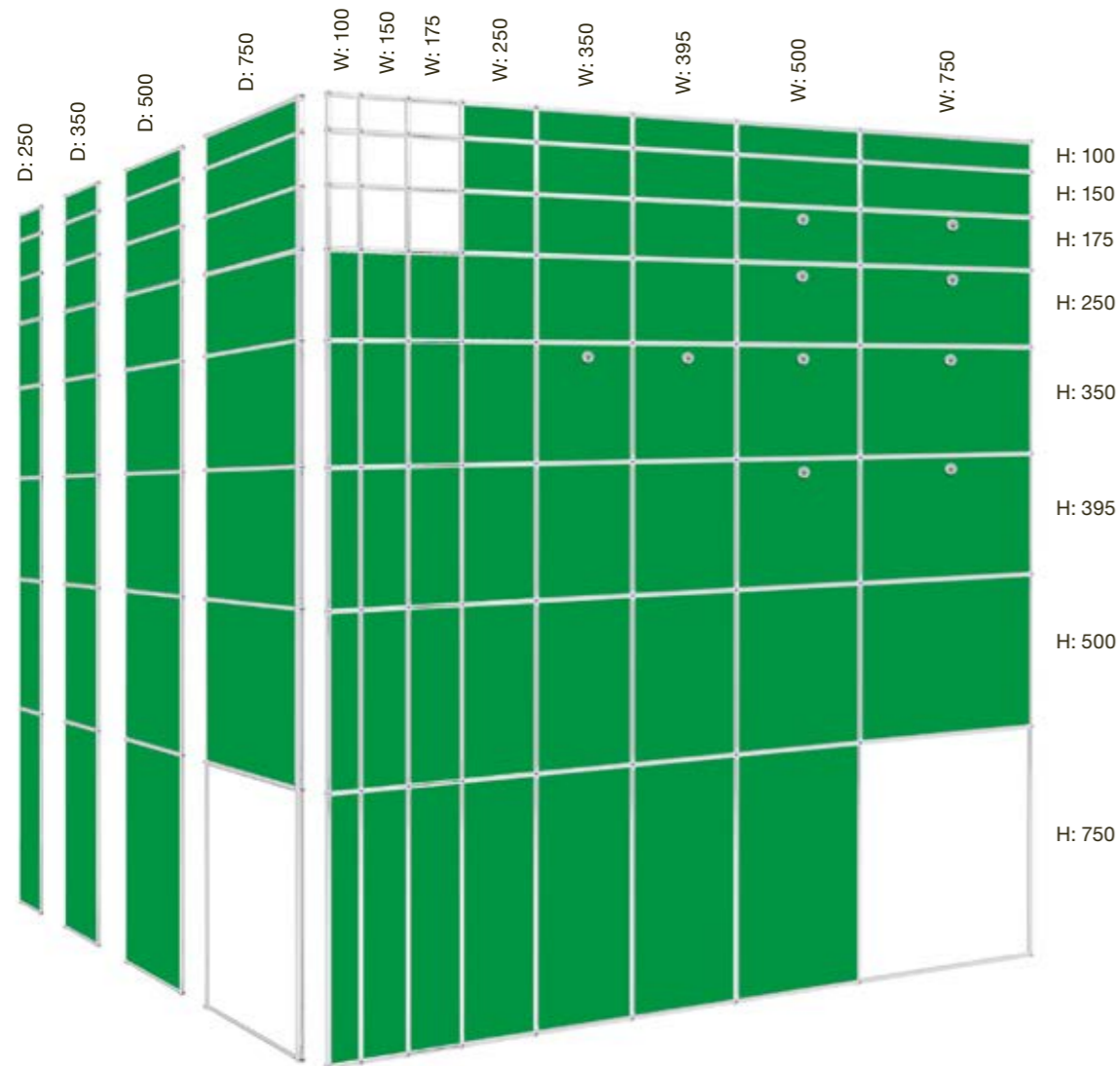
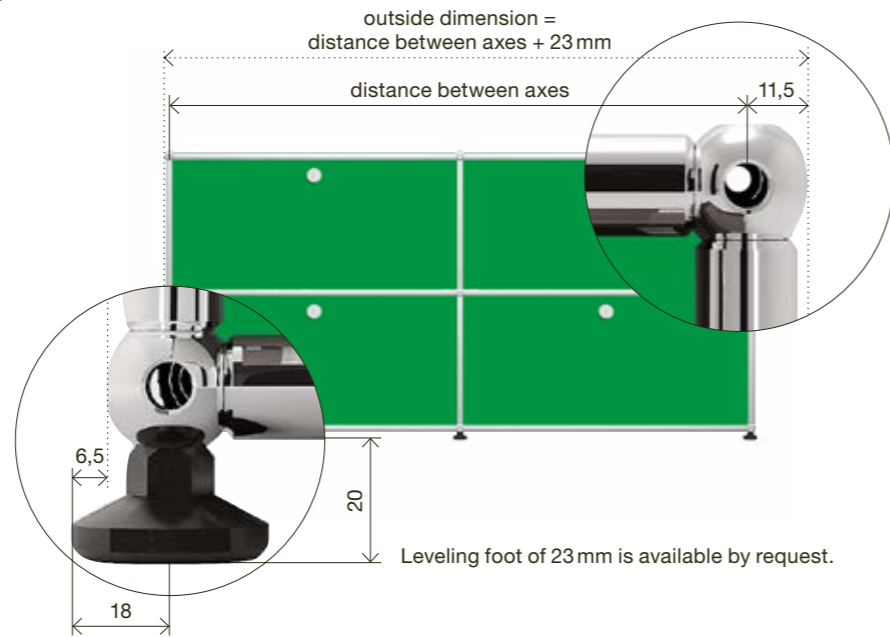


# USM Haller Measurements & System Components

The USM Haller system provides a wide variety of elements in standard sizes. Widths, depths and heights are indicated below. All measurements refer to the distance between axes.



Your safety matters to us. Check out the USM safety instructions now. [www.usm.com/safety](http://www.usm.com/safety)



All measurements in mm.

- | Panels                    | Doors                      | Shelves and drawers  | Accessories                             |
|---------------------------|----------------------------|--|---|
| 1 Metal panel             | 5 Metal flip-up door*      | 10 Metal divider shelf                                       | 20 Hanging file baskets                 |
| 2 Glass panel             | 6 Glass door               | 11 Glass divider shelf                                       | 21 Metal box insert                     |
| 3 Acoustic panel          | 7 Acoustic drop-down door* | 12 Metal extension shelf                                     | 21a Slide profile for metal box insert  |
| 4 Perforated metal panel* | 8 Metal drop-down door     | 13 Metal angled shelf  | 22 Cable cut-out                        |
|                           | 9 Metal extension door*    | 14 Extension filing set with extension shelf                 | 23 Metal, magnetic bookend              |
|                           |                            | 15 Small drawer D: 500                                       | 24 USM Inos Box                         |
|                           |                            | 16 A6 drawer D: 500  | 25 USM Inos DVD tray                    |
|                           |                            | 17 A5 drawer D: 500  | 26 USM Inos CD tray                     |
|                           |                            | 18 A4 drawer D: 500  | 27 USM Inos angled file trays           |
|                           |                            | 19 Metal plant panel with circular recesses to hold the pots | 28 USM Inos card box set                |
|                           |                            |  | 29 Bookend for bookshelf panel (D: 350) |
|                           |                            |  | 30 USM Inos C4 box set, open            |
|                           |                            |  | 31 USM Inos C4 box set, closed          |
|                           |                            |  | 32 USM Inos drawer organizer set        |



Start configuring your individual piece of USM now! [www.usm.com](http://www.usm.com)



Illustration: USM Haller in D: 500mm.

\*Acoustic version available. All measurements in mm.