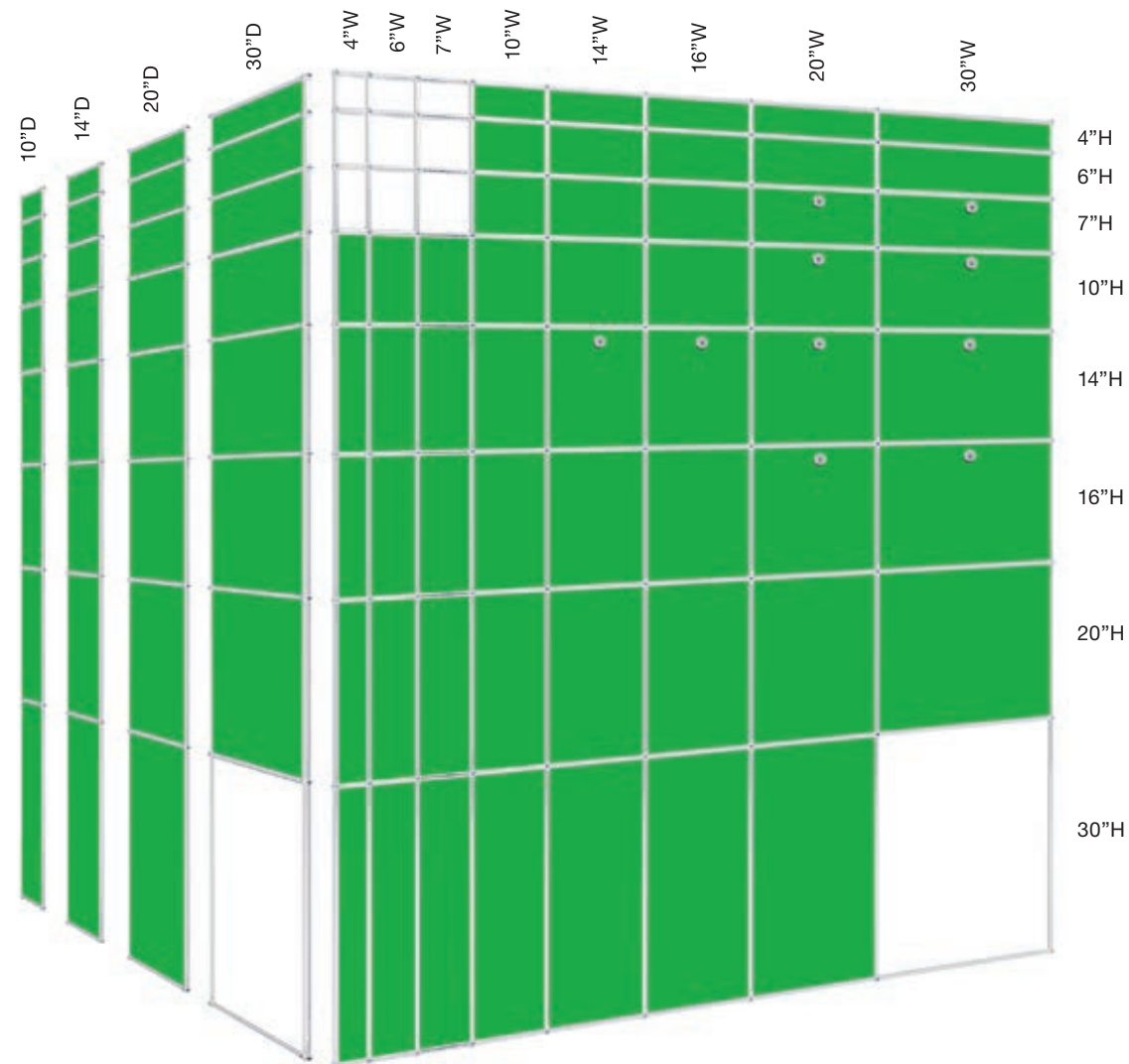
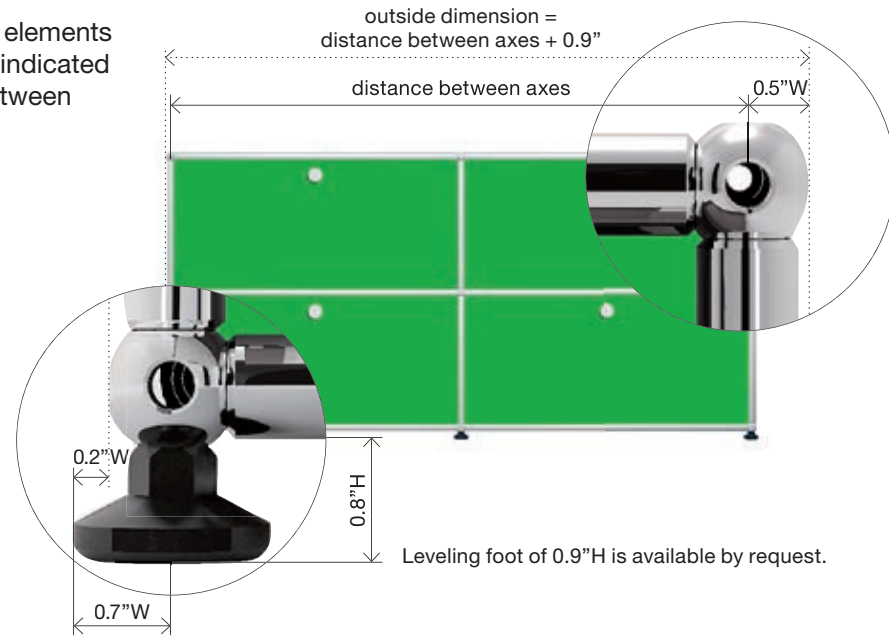


USM Haller Measurements & System Components

The USM Haller system provides a wide variety of elements in standard sizes. Widths, depths and heights are indicated below. All measurements refer to the distance between axes.



Your safety matters to us. Check out the USM safety instructions now. www.usm.com/safety



- | Panels | Doors | Shelves and drawers | Accessories |
|---------------------------|----------------------------|--|--|
| 1 Metal panel | 5 Metal flip-up door* | 10 Metal divider shelf | 20 Hanging file baskets |
| 2 Glass panel | 6 Glass door | 11 Glass divider shelf | 21 Metal box insert |
| 3 Acoustic panel | 7 Acoustic drop-down door* | 12 Metal extension shelf | 21a Slide profile for metal box insert |
| 4 Perforated metal panel* | 8 Metal drop-down door | 13 Metal angled shelf | 22 Cable cut-out |
| | 9 Metal extension door* | 14 Extension filing set with extension shelf | 23 Metal, magnetic bookend |
| | | 15 Drawer 4" | 24 USM Inos Box |
| | | 16 Drawer 6" | 25 USM Inos DVD tray |
| | | 17 Drawer 10" | 26 USM Inos CD tray |
| | | 18 Drawer 12" | |
| | | 19 Extension filing set | |
| | | | 27 USM Inos angled file trays |
| | | | 28 USM Inos card box set |
| | | | 29 Bookend |
| | | | 30 USM Inos box set, open |
| | | | 31 USM Inos box set, closed |
| | | | 32 USM Inos organizing drawer set |

Start configuring your individual piece of USM now! www.usm.com



*Acoustic version available. USM Inos accessories are available in graphite black and light gray.

Illustration: USM Haller in 20\"/>